

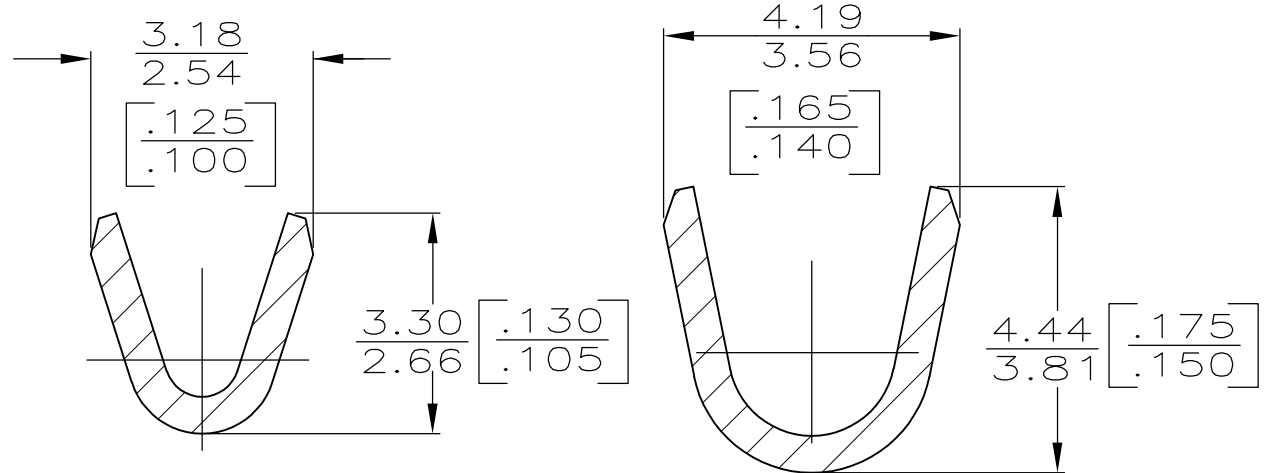
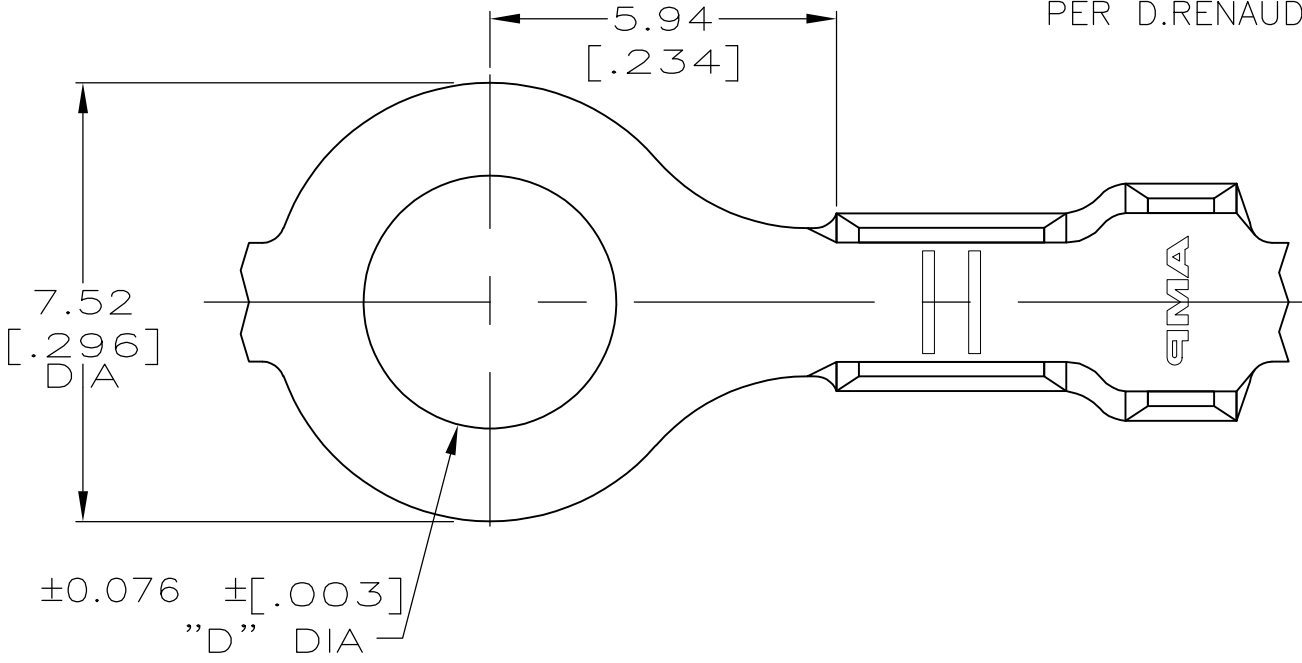
THIS DRAWING IS UNPUBLISHED. RELEASED FOR PUBLICATION
 © COPYRIGHT - By - ALL RIGHTS RESERVED.

LOC	DIST	REVISIONS			
P	LTR	DESCRIPTION	DATE	DWN	APVD
AF	50	L2	REVISED PER ECO-11-004587	11MAR11	RK HMR

6 REDUCED PACKAGE QUANTITY.

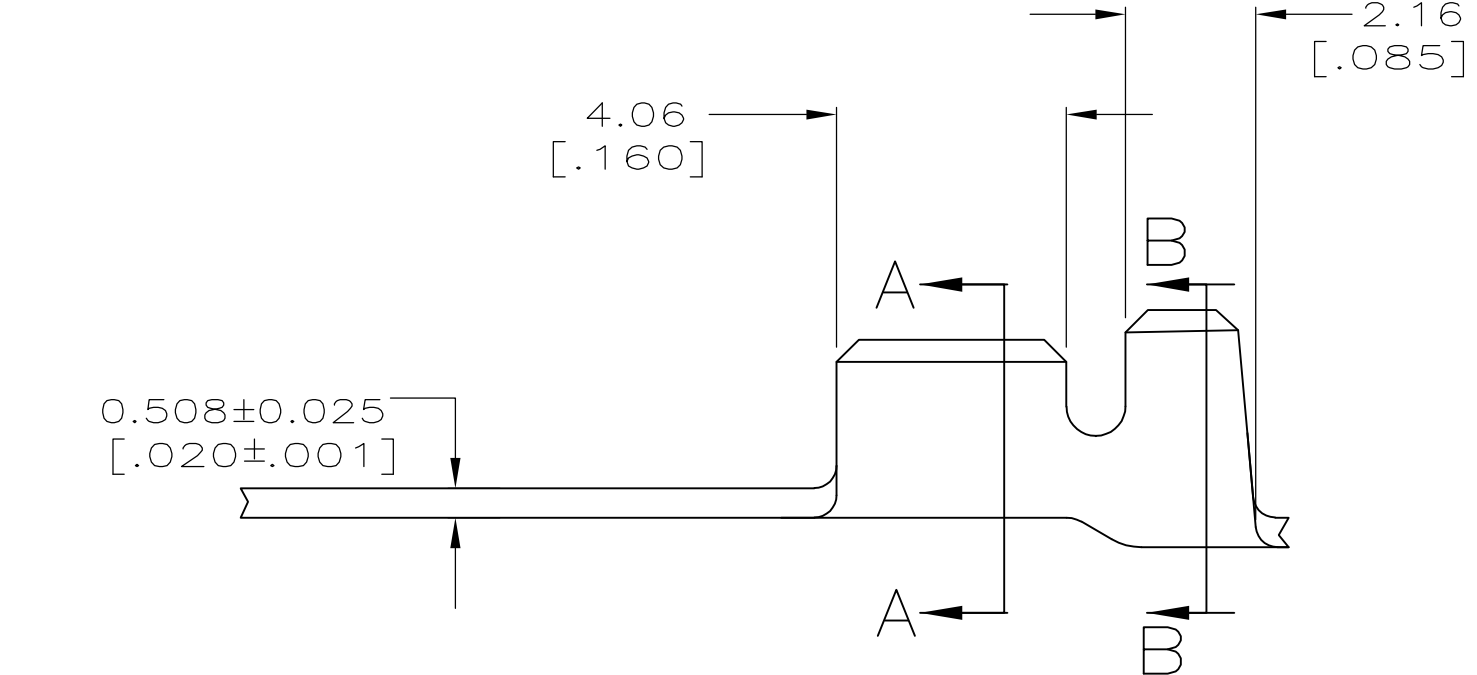
7 OBSOLETE PARTS: OBSOLETE CIS STREAMLINING PER D.RENAUD/D.SINISI

- 1 CONTINUOUS STRIP ON REEL.
- 2 WIRE SIZE IS [#22-#18] AWG.
- 3 INSULATION RANGE IS 2.03-2.79 [.080-.110] DIA.
- 4 FOR FOREIGN PRODUCTION ONLY REELED WITH PAPER INTERLEAVE
- 5 PRELIMINARY - NOT FOR PRODUCTION



SECTION A-A
SCALE 10:1

SECTION B-B
SCALE 10:1



FINISH	STUD SIZE	D	DIM	PART NO	
TIN PLATING	M 3.5 - [#6]	3.68	[.145]	42037-9	
TIN PLATING	[#10]	5.00	[.197]	42037-8	
OBSOLETE	TIN PLATING	M 4 - [#8]	4.34	[.171]	42037-7
OBSOLETE	TIN PLATING	[#10]	5.00	[.197]	42037-6
TIN PLATING	[#10]	5.00	[.197]	42037-2	
TIN PLATING	M 4 - [#8]	4.34	[.171]	42037-1	
TIN PLATING	M 3.5 - [#6]	3.68	[.145]	42037	

THIS DRAWING IS A CONTROLLED DOCUMENT.		DWN	JR RUTH	01AUG00	STE TE Connectivity		
DIMENSIONS: mm [INCHES]		CHK	MS FEHER	01AUG00			
TOLERANCES UNLESS OTHERWISE SPECIFIED:		APVD	D DECKER	01AUG00	NAME		
0 PLC ± -		PRODUCT SPEC		RING			
1 PLC ± -		APPLICATION SPEC		SIZE			
2 PLC ± 0.25 [.010]		-		CAGE CODE		DRAWING NO	
3 PLC ± -		-		A300779		C-42037	
4 PLC ± -		-		RESTRICTED TO		-	
ANGLES ± -		WEIGHT		SCALE		SHEET	
MATERIAL		082 BRASS		CUSTOMER DRAWING		8:1	
FINISH		SEE TABLE		1 OF 1		REV L2	